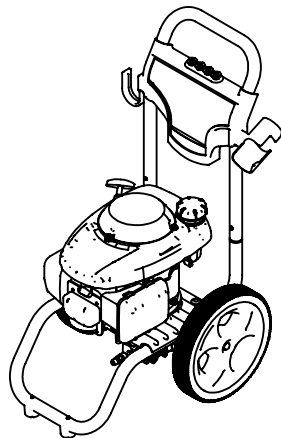


ITEM	PART NO.	DESCRIPTION	QTY.
1	7105463	BASE FRAME SERVICE ASSEMBLY WITH LABELS	1
1.1	7100389	GROMMET, 7/16 RUBBER	1
1.2	7104886	FRAME, BASE WELDMENT MSV3024 STUB AXLE	1
2	7105464	HANDLE SERVICE ASSEMBLY WITH BONNET AND LABELS	1
2.1	7104902	HANDLE, TUBE FLAT BLACK (MSV3024)	1
2.2	7104198	BONNET ASSY, WITH 4 HOLE NOZZLE HOLDER	1
2.2.1	7104120	NOZZLE HOLDER, 4 HOLES	1
† 2.3	7105874	BONNET, SVC KIT WITH LABELS AND SCREWS	1
† 2.4		SCREW, 1/4-20 PHILLIPS PAN HEAD ZINC PLATED	2
† 3	7105465	ENGINE SERVICE KIT, GCV190 WITH KEY AND LABELS	1
† 3.1		ENGINE, HONDA GCV190	1
3.2	7104174	KEY SHAFT 3/16 X 3/16 X 1 1/4	1
4	7105466	PUMP SERVICE KIT, 3000PSI @ 2.4GPM	1
¶ 4.1	7104884	PUMP, 3000PSI @ 2.4GPM VERTICAL AXIAL	1
† 4.1.2	7104224	WATER INLET KIT	1
† 4.1.2.1		WATER INLET FILTER	1
† 4.1.2.2		WATER INLET CONNECTOR	1
† 4.1.2.3		HAND-TIGHT NUT	1
† 4.1.2.4		O-RING 14mm X 1.8mm	1
† 4.1.3	7104230	OUTLET EXTENSION KIT	1
† 4.1.3.1		O-RING 14mm X 1.8mm	1
† 4.1.3.2		OUTLET CONNECTOR	1
† 4.1.4	7104228	SOAP INJECTOR KIT	1
† 4.1.4.1		INJECTION FITTING	1
† 4.1.4.2		O-RING 7.5mm X 1.8mm	1
† 4.1.4.3		O-RING 3.55mm X 1.8mm	1
† 4.1.4.4		STEEL BALL 3/16IN	1
† 4.1.4.5		INJECTOR SPRING	1
4.1.5	7101359	VALVE, THERMAL RELIEF 1/4" NPT(M)	1
4.2	7104122	CAP, BLACK VINYL 0.625 ID X 1.50	1
5	7105467	WHEEL SERVICE KIT, 12" BLACK WITH AXLE,CLIP & WASHER	2
† 5.1	7104875	WHEEL AND TIRE, 12[305] X 2[51]	1
† 5.2		AXLE, STUB .525 X 4.256 MSV, ROUND HEAD	1
† 5.3		WASHER, 1/2 SAE FLAT ZINC PLATED	1
† 5.4		CLIP, E-TYPE 1/2 X 0.042 ZINC/CLEAR	1
† 6	7105468	FOOT SERVICE KIT, RUBBER FOOT AND SCREW	2
† 6.1		FOOT, RUBBER 1.50 OD	1
† 6.2		SCREW, 1/4-20 X 3/4 TORX PANHEAD	1
† 7	7103776	HARDWARE KIT, ENGINE MOUNT	1
† 7.1		BOLT, FLANGE 5/16-18 X 2.00IN HHFB	3
† 7.2		NUT, SERRATED FLANGE 5/16-18	3
† 8	7102122	SNAP BUTTON	2
9	7105176	NOZZLE, SET 4 PC 2.80	1
10	7103550	LANCE, 16IN X 1/4 QC(F) X M22(M)	1
11	7105282	HOSE, 1/4IN X 25FT X 3000PSI M22 X M22	1
12	7102037	SOAP HOSE KIT	1
* 13	7102045	TOOL, NOZZLE CLEANING, UNIVERSAL	1
* 14	7104892	MANUAL, OPERATOR'S MSV3024	1
* 15	7104893	BOX, SHIPPING MSV3024	1
†	7104884R	REFURBISHED PUMP	1

‡ ALL WARRANTY REPAIRS WILL BE REFURBISHED PUMPS.
† NOT SOLD SEPERATELY
* NOT SHOWN



PUMP IDENTIFICATION TABLE

MACHINE SERIAL NO.	PUMP PART NO.	PUMP KIT
128491 THROUGH PRESENT	7104884	7104224

	NAME	DATE
DRAWN	MAV	6/21/2012
CHECKED	M.G.	6/28/2012
ENG APPR.	J.E.W.	6/28/2012
MFG APPR.	S.C.	6/28/2012
Q.A. APPR.	J.P.	-
SERVICE APPR.	D.H.	6/28/2012

PROPRIETARY AND CONFIDENTIAL
THE INFORMATION CONTAINED IN THIS DRAWING IS THE SOLE PROPERTY OF FNA-GROUP. ANY REPRODUCTION IN PART OR AS A WHOLE WITHOUT THE WRITTEN PERMISSION OF FNA-GROUP IS PROHIBITED.

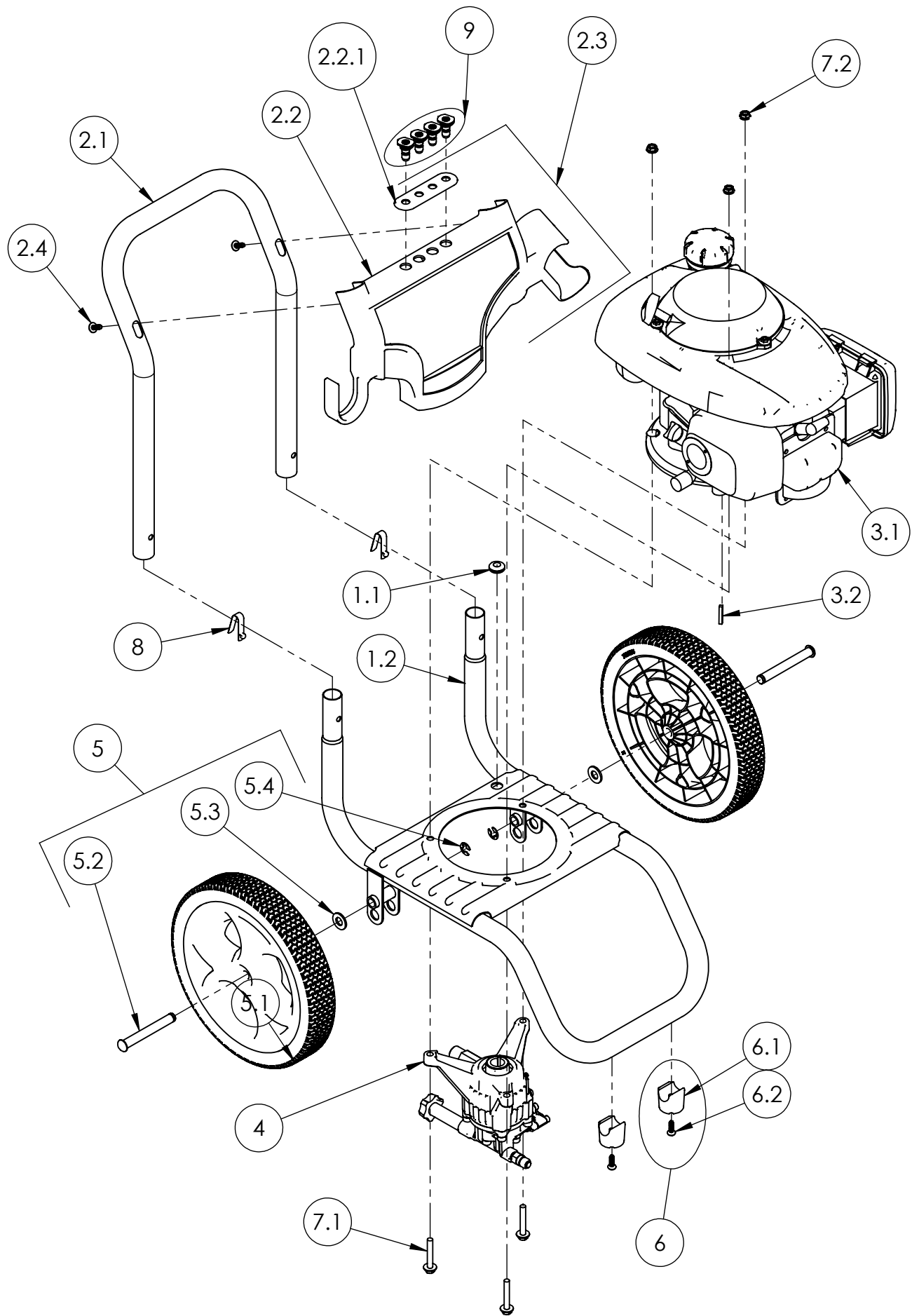
FNA-GROUP

1265 INDUSTRIAL STREET, DECATUR, AR 72722

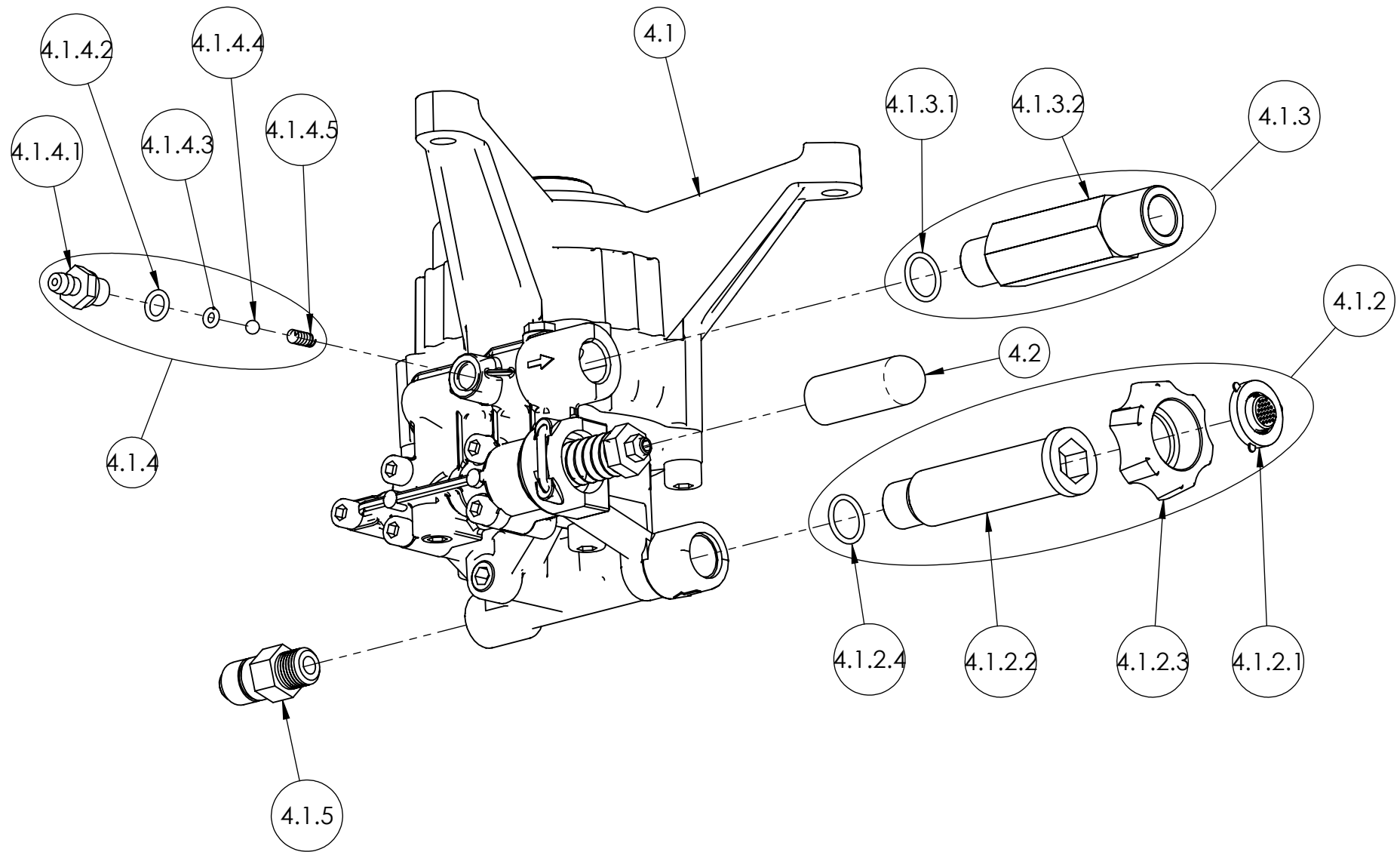
TITLE:

MSV3024

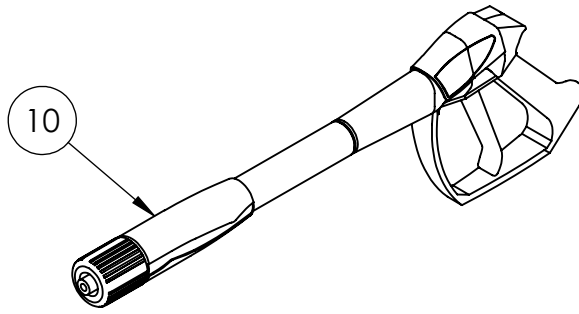
SIZE	DWG. NO.	REV.
A	60583-S	A
SCALE:	N/A	ECN# DC12-0012 SHEET 1 OF 9



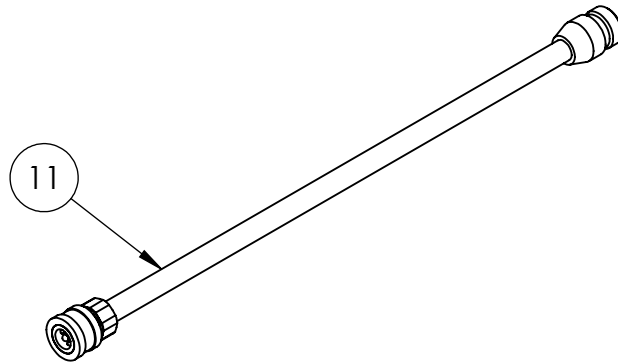
SIZE	DWG. NO.	REV.
A	60583-S	A
SCALE: N/A	ECN# DC12-0012	SHEET 2 OF 9



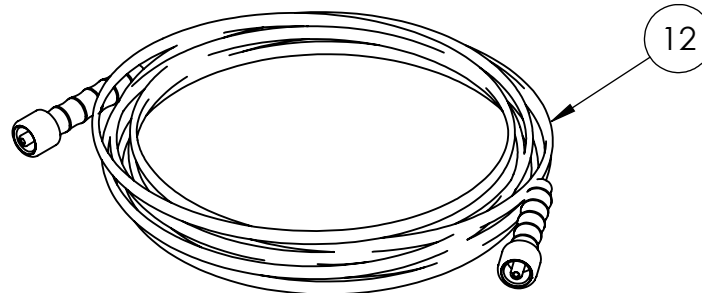
SIZE	DWG. NO.	REV.
A	60583-S	A
SCALE: N/A	ECN# DC12-0012	SHEET 3 OF 9



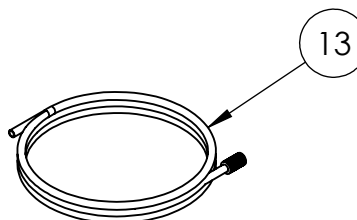
SPRAY GUN, M22 INLET AND OUTLET
PART NO. 7104847



LANCE, 16IN M22(M) IN X 1/4QC(F) OUT
PART NO. 7103550

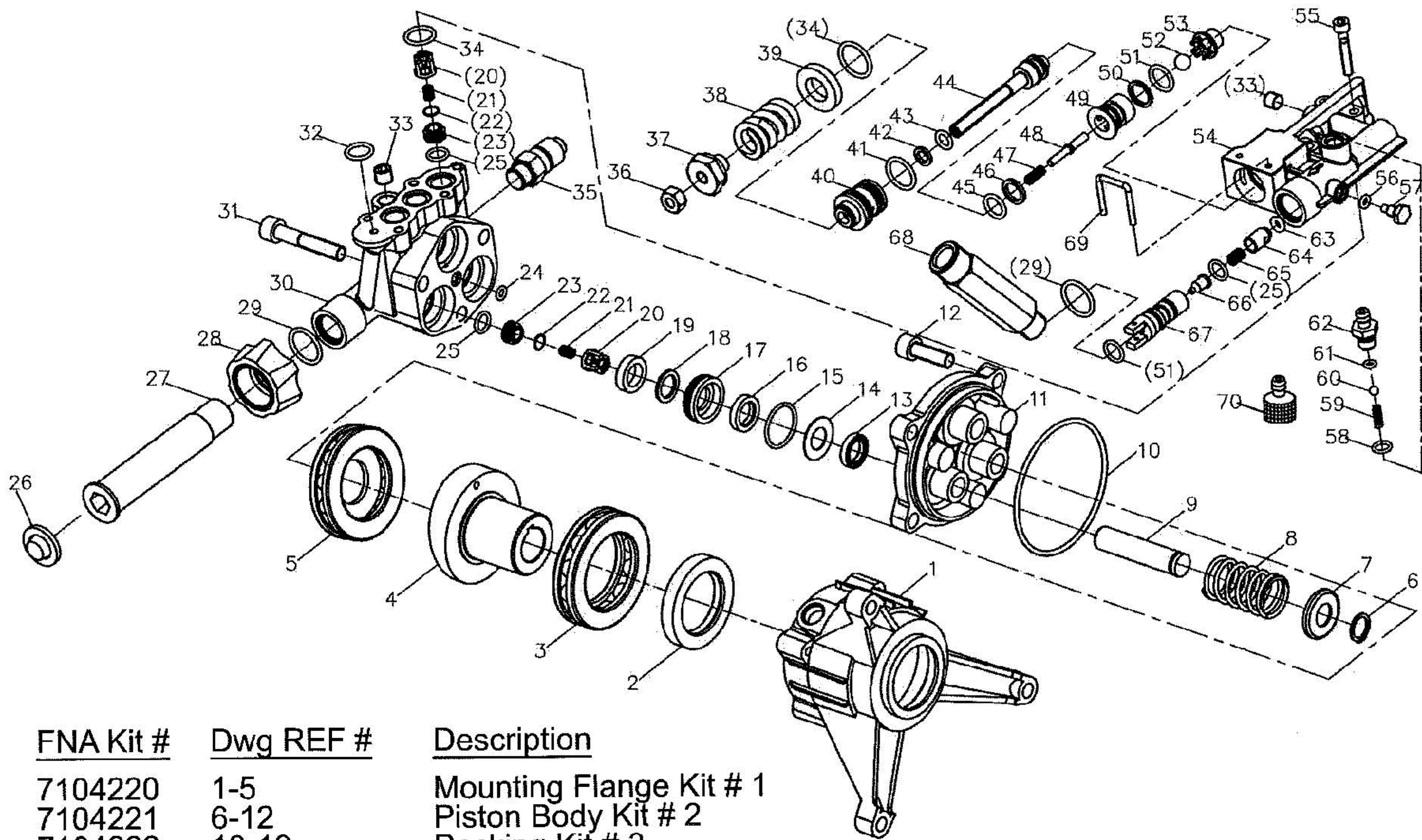


HOSE, 1/4IN X 25FT X 3000PSI M22 X M22
PART NO. 7105282



SOAP HOSE KIT
PART NO. 7102037

SIZE A	DWG. NO. 60583-S	REV. A
SCALE: N/A	ECN#	DC12-0012
		SHEET 4 OF 9



<u>FNA Kit #</u>	<u>Dwg REF #</u>	<u>Description</u>
7104220	1-5	Mounting Flange Kit # 1
7104221	6-12	Piston Body Kit # 2
7104222	13-19	Packing Kit # 3
7104223	20-23, 25	Valve Kit # 4
7104224	26-29	Water Inlet Kit # 5
7104225	24, 30-33	Pump Head Kit # 6
7104226	34, 36-48	Unloader Kit # 7
7104227	49-53	By-Pass Valve Kit # 8
7104228	58-62	Soap Injector Kit # 9
7104229	25, 33-67, 69	Manifold Kit # 10
7104230	29, 68	Outlet Extension Kit # 11

Pump No. 7104884

3000 PSI @ 2.4 GPM

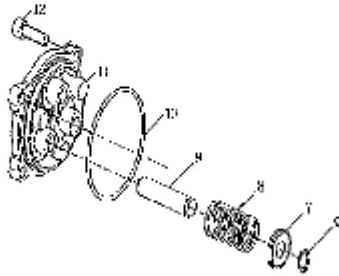
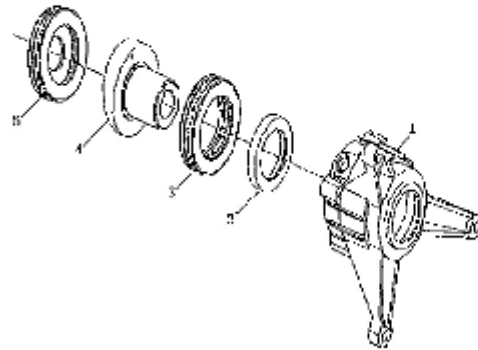
FNA-Group, Inc
06/21/2012
Rev. A

SIZE C	DWG. NO. 60583-S	REV A
WEIGHT:	SCALE: 1:6	SHEET 5 OF 9

7104884

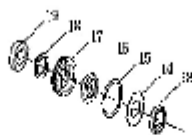
7104220 Kit 1 – Mounting Flange

Item	Part Description	Qty
1	Wobble Plate Case	1
2	Oil Seal	1
3	Thrust Bearing	1
4	Wobble Plate	1
5	Thrust Bearing	1



7104222 Kit 2 – Piston Body

Item	Part Description	Qty
6	Retainer Bearing	3
7	Spring Clip	3
8	Backhaul Spring	3
9	Piston	3
10	O-ring	1
11	Piston Seat	1
12	Screw	4



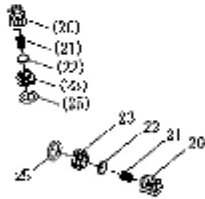
7104222 Kit 3 – Packing

Item	Part Description	Qty
13	To and Fro Oil Seal	3
14	Block Washer	3
15	O ring	3
16	Subsidiary Seal Washer	3
17	Subsidiary Seal Seat	3
18	Water Seal Washer	3
19	Water Seal	3

FNA-Group, Inc.
05/1/2012
Rev A

SIZE	DWG. NO.	REV.
A	60583-S	A
SCALE: N/A	ECN# DC12-0012	SHEET 6 OF 9

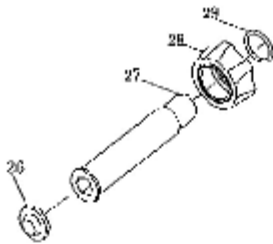
7104884



7104223

Kit 4 – Valve Kit

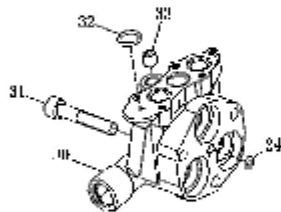
Item	Part Description	Qty
20	Valve Cover	6
21	Valve Spring	6
22	Valve Gasket	6
23	Valve Seat	6
25	O-ring	6



7104224

Kit 5 – Water Inlet Kit

Item	Part Description	Qty
26	Water Inlet Filter	1
27	Water Inlet Connector	1
28	Hand-tight Nut	1
29	O-ring	1



7104225

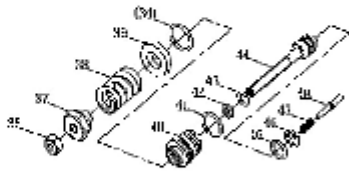
Kit 6 – Pump Head Kit

Item	Part Description	Qty
24	O-ring	1
30	Manifold	1
31	Screw	3
32	O-ring	1
33	Block	1

FNA Group, Inc
05/21/2012

SIZE A	DWG. NO. 60583-S	REV. A
SCALE: N/A	ECN# DC12-0012	SHEET 7 OF 9

7104884



7104226

Kit 7 – Unloader Kit

Item	Part Description	Qty
34	O-ring	1
36	Nut	1
37	Regulating Nut	1
38	Regulating Spring	1
39	Fastness Washer	1
40	Valve Sheath	1
41	O-ring	1
42	Close Retainer Ring	1
43	O-ring	1
44	Valve Rod	1
45	O-ring	1
46	Uncork Retainer Ring	1
47	Peak Pin Spring	1
48	Peak Pin	1



7104227

Kit 8 – Bv Pass Valve Kit

Item	Part Description	Qty
58	O-ring	1
59	Injector Spring	1
60	Steel Ball	1
61	O-ring	1
62	Injector	1



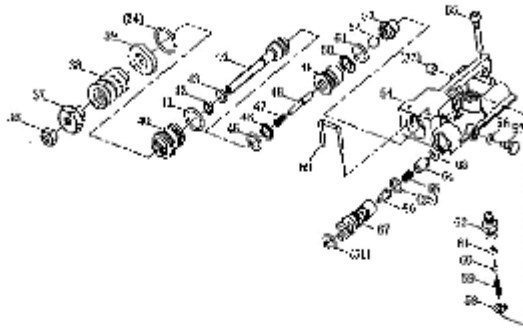
7104228

Kit 9 – Soap Injector Kit

Item	Part Description	Qty
58	O-ring	1
59	Injector Spring	1
60	Steel Ball	1
61	O-ring	1
62	Injector	1

INA-Group, Inc.
06/21/2012

7104884



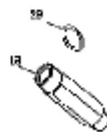
7104229

Kit 10 – Manifold Kit

Item	Part Description	Qty
25	O-ring	1
33	Block 1	1
34	O-ring	4
36	Nut	1
37	Regulating Nut	1
38	Regulating Spring	1
39	Fastness Washer	1
40	Valve Sheath	1
41	O ring	1
42	Close Retainer Ring	1
43	O ring	1
44	Valve Rod	1
45	O ring	1
46	Uncork Retainer Ring	1
47	Peak Pin Spring	1
48	Peak Pin	1
49	Upper Seat	1
50	Uncork Retainer Ring	1
51	O ring	1
52	Steel Ball	1
53	O ring	1
54	Outlet Valve Body	1
55	Screw	1
56	O ring	1
57	Block 2	1
58	O ring	1
59	Injector Spring	1
60	Steel Ball	1
61	O ring	1
62	Injector	1
63	O ring	1
64	Unilateral Valve Core	1
65	Unilateral Valve Spring	1
66	Nozzle	1
67	Venturi Tube	1
69	Chemical Filter	1

7104230

Kit 11 – Outlet Kit



Item	Part Description	Qty
29	O ring	1
68	Outlet Connector	1